

# CANTER



## CANTER 918

4X2 / WIDE CAB / MANUAL OR DUONIC DCT



**OUR SAFEST CANTER EVER WITH AEBS, LDWS AND ESP STANDARD  
LONGEST CANTER AVAILABLE. TAKES UP TO A 10 PALLET BODY.**

**GVM**

**8,550<sub>KG</sub>**

**GCM**

**11,700<sub>KG</sub>**

**Power/Torque**

**129<sub>KW</sub> / 430<sub>NM</sub>**

- Medium rigid licence required.
- Can be derated and driven on a light rigid or car licence.



# SPECIFICATIONS

## MODEL

A	4x2 918 Wide Cab LWB 6 Sp. Duonic AMT (FECX1GR3SFBD)
B	4x2 918 Wide Cab XLWB 6 Sp. Duonic AMT (FECX1HR3SFBD)
C	4x2 918 Wide Cab XXLWB 6 Sp. Duonic AMT (FECX1KR3SFBD)
D	4x2 918 Wide Cab LWB 5 Sp. MAN (FECX1GR4SFBD)
E	4x2 918 Wide Cab XLWB 5 Sp. MAN (FECX1HR4SFBD)
F	4x2 918 Wide Cab XXLWB 5 Sp. MAN (FECX1KR4SFBD)

## WHEEL BASE

3850mm
4300mm
4750mm
3850mm
4300mm
4750mm

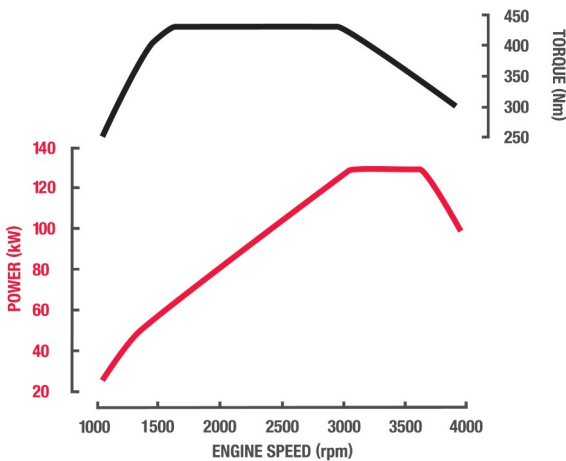
## GVM (optional)

8,550kg (8,000kg/4,495kg)
8,550kg (8,000kg/4,495kg)
8,550kg (8,000kg/4,495kg)
8,550kg (8,000kg/4,495kg)
8,550kg (8,000kg/4,495kg)
8,550kg (8,000kg/4,495kg)

## GCM (optional)

11,700kg (11,500kg/7,995kg)
11,700kg (11,500kg/7,995kg)
11,700kg (11,500kg/7,995kg)
11,700kg (11,500kg/7,995kg)
11,700kg (11,500kg/7,995kg)
11,700kg (11,500kg/7,995kg)

Engine	
Engine Version	FUSO 4P10-T6 Diesel
Configuration	4 Cyl. In-line DOHC, 4-Valve
Type	Variable Geometry Turbo Charged Air to Air Intercooled
Displacement	3 litre (2998cc)
Bore	95.8mm
Stroke	104mm
Power (DIN)	129kW @ 2860~3500 rpm
Torque (DIN)	430Nm @ 1600~2860 rpm
Maximum Engine Speed	4100 rpm
Compression Ratio	17.5:1
Cooling System / Oil Cooler	Water cooled, 14.1L capacity/ Plate type engine oil cooler
Air Cleaner	Paper Element Type with Restrictor Indicator. Vertical Intake Mounted on Clean Air Side (RH)
Emission Control	Diesel Particulate Filter (DPF) Exhaust Dash Display DPF Status 0~9 (Empty~Full) Parked Regeneration possible from 7~9 Selective Catalytic Reduction (SCR) after-treatment system (BlueTec)
Emission Level	ADR 80/03 & EEV rated (Enhanced Environmentally-Friendly Vehicle) Euro 5



Fuel	
Injection System	Bosch Common Rail Direct Injection Bosch Piezo Technology Injectors
Tank Type	Rectangular Steel Tank with Locking Cap
Fuel Capacity *	100 Litres
Filtration	Filter with Water Separator and Indicator Sensor
AdBlue Exhaust Fluid Capacity	12 Litres
Notes	*Max Fill to approx 95% of Air Capacity

Cooling	
Fan Drive	Thermo modulated continuous control (Viscous)
Radiator	Corrugated Fin with Expansion Tank

Electrical	
Voltage	12V Negative Earth
Alternator Capacity	A B C D E F 12V-140 amp 12V-110 amp
Starter Capacity	12V-2.0kW
Battery Capacity	2x12V, 70Ah/5hr
Battery Specification	115D31LX2
Headlamp Type	Halogen
Headlamp Capacity	2x55W/60W

Clutch		
Clutch Model	A B C D E F Fully Automated Dual Clutch (no clutch pedal)	D E F FUSO C4W30
Type	A B C D E F Dual Clutch (Wet Multi-plate)	D E F Single Dry Plate, Direct Hydraulic Type

Transmission		
Version	A B C D E F FUSO Duonic M038S6	D E F FUSO M038S5
Type/Speeds	A B C D E F 6 Speed Dual Clutch with Auto and Manual Modes	D E F 5 Speed with In-Dash Gearshift Lever
Features	A B C D E F Virtually Instant Gear Changes In-Dash Gear Lever with Park Brake Position ECO Mode to Minimise Fuel Usage	D E F Synchromesh 2nd-5th
Ratios	A B C D E F 1st: 5.397 2nd: 3.788 3rd: 2.310 4th: 1.474 5th: 1.000 6th: 0.701 Rev. 5.397	D E F 1st: 5.494 2nd: 3.193 3rd: 1.689 4th: 1.000 5th: 0.723 Rev. 4.494
PTO Opening	LH Side	

Front Axle	
Axle Version	FUSO F350T
Type	Reverse Elliot 'I' Beam
Capacity *	3100kg
Notes	*See MAX LOADING for vehicle capacity.

Front Suspension	
Type	Parabolic with Stabiliser Bar and Double Acting Shock Absorbers
Size	1150x70mm Leaves

Rear Axle	
Type	Full Floating Banjo Type
Axle Version	FUSO R035T
Capacity*	6000kg
Ratio	A B C D E F 6.166:1 5.285:1
Notes	*See MAX LOADING for vehicle capacity.

Rear Suspension	
Type	Steel Suspension
Details	Semi-Elliptic Leaf with Stabiliser Bar and Double Acting Shock Absorbers
Size Main Leaves	1250x70mm
Size Helper Leaves	880x70mm

Max Loading	
Front	3100kg
Rear	6000kg
Total	8550kg

# SPECIFICATIONS

**FUSO**

# CANTER

## MODEL

A	4x2 918 Wide Cab LWB 6 Sp. Duonic AMT (FECX1GR3SFBD)
B	4x2 918 Wide Cab XLWB 6 Sp. Duonic AMT (FECX1HR3SFBD)
D	4x2 918 Wide Cab XXLWB 6 Sp. Duonic AMT (FECX1KR3SFBD)
C	4x2 918 Wide Cab LWB 5 Sp. MAN (FECX1GR4SFBD)
E	4x2 918 Wide Cab XLWB 5 Sp. MAN (FECX1HR4SFBD)
F	4x2 918 Wide Cab XXLWB 5 Sp. MAN (FECX1KR4SFBD)

## WHEEL BASE

3850mm
4300mm
4750mm
3850mm
4300mm
4750mm

## GVM (optional)

8,550kg (8,000kg/4,495kg)
8,550kg (8,000kg/4,495kg)
8,550kg (8,000kg/4,495kg)
8,550kg (8,000kg/4,495kg)
8,550kg (8,000kg/4,495kg)
8,550kg (8,000kg/4,495kg)

## GCM (optional)

11,700kg (11,500kg/7,995kg)
11,700kg (11,500kg/7,995kg)
11,700kg (11,500kg/7,995kg)
11,700kg (11,500kg/7,995kg)
11,700kg (11,500kg/7,995kg)
11,700kg (11,500kg/7,995kg)

Options	
Options	H31: 4495/7995kg GVM/GCM Rating H38: 8000/11700kg GVM/GCM Rating

Steering	
Type	Integral Ball and Nut Type
Steering Column	Tilt/Telescopic Adjustable
Power Assist	Standard

Brakes	
Type	Hydraulic Dual Circuit with Front and Rear Discs Twin Calliper Front and Rear
Size Front	252x40mm
Size Rear	252x40mm
Features	Exhaust Brake Brake Priority System
Park Brake	Transmission Mounted

Wheels & Tyres	
Wheel Type	7 x Single Piece Disc Rims (Including Spare)
Wheel Size	17.5x6.0-127
Wheel Stud Pattern	6 Stud 222.25 PCD
Tyre Size All	215/75R17.5 124/123
Spare Tyre Carrier	Provided

Chassis	
Type	Reinforced Tapered Channel
Size	212x65x6mm
Width	850mm
Tensile Strength	540 MPa

Instruments	
Gauges	Speedometer with Odometer Tachometer Fuel Level Water Temperature AdBlue Level
Colour Information Display	Fuel Consumption DPF Bar Chart from 1~9 Water Temperature Lane Departure Warning Maintenance Reminder System Tripmeters

Multi-Media Package	
Satellite Navigation	Maps with heavy vehicle weight, length, height & hazardous material selectable restrictions with 3 years of Map updates
Colour Display	7 inch LCD with touch screen control
Phone Connectivity	Bluetooth® hands free
Audio Visual Entertainment	Bluetooth® music streaming compatible Digital radio DAB+ (also AM/FM for areas not covered by DAB+) USB & 3.5mm/AUX port
Reversing Camera Compatible	Display can accept up to 5 cameras#
Optional Accessories (available at additional cost)	Rear Mounted Parking Sensor Kit (High or Low) USB Quick Charge Kit Qi Wireless Charging Pocket for Mobile Devices Tyre Pressure Monitoring System
Notes	# Cameras available through spare parts

Standard Features	
Airbag(s)	Dual Air Bags and Seat Belt Pre-Tensioners (Driver & Far Side Passenger)
Active Safety Features	ABS plus Electronic Brake force Distribution (EBD) Advanced Emergency Braking (AEBS) Anti-Slip Regulator (ASR) Electronic Stability Program (ESP) Lane Departure Warning System (LDWS)
Cruise Control	<b>A B C</b> Yes <b>D E F</b> No
Hill Start System	Yes
Cab Cooling & Heating	Air Conditioner / Heater / Demister
Accessory Power	12V Accessory Power Outlet / Cigar Lighter
Driving	Fuso Multimedia Unit Keyless Central Locking Electric Windows Cup Holders (2)
Storage	Dual Overhead Storage Pockets In-Dash Centre Document Storage Door Storage Pockets Dash Storage Tray (1 DIN) Coat Hooks
Cab: External	Front End-Outline Marker Lamps Door Side Impact Beams
Chassis	Reverse Warning Buzzer Factory Reverse Camera with Infrared Display and Audible Pickup (Supply only in Cabin with Cab Chassis)

Cab Features	
Type	All Steel Forward Control Manual Tilt
Cab Structure	ECE-R29 European Cab Strength Approved
Mounting	Hydroelastic 4 Point
Additional Engine Access	<b>A B C</b> Removable Engine <b>D E F</b> Access Panel N/A
Colour	Natural White
Windscreen Wipers	2 Speed + Intermittent Cycle with Integrated Washer Nozzles
Rear Vision Mirrors	1 x Internal 2 x External Convex (ECE 46) - Heated
Seating Capacity	3
Seat Belts	Lap Sash Belts for Outside Seating Positions Lap Belt for Centre Seat
Seats (passenger)	Flat Folding, 2 Passenger Bench

Service Intervals	
Interval*	30,000km or 12 Months (whichever occurs first)
Notes	* based on normal operating conditions and may be reduced when operating under severe conditions.

Warranty	
Basic/Powertrain	5 Years or 200,000kms (whichever occurs first)
Cab Perforation/Anti Corrosion	5 Years

Performance			
Turning Circle (kerb to kerb - metres)	<b>A D</b> 13.6	<b>B E</b> 15.0	<b>C F</b> 16.6
Road Speed (km/h) at Max Engine Speed	<b>A B C</b> 124	<b>D E F</b> 130	
Engine Speed (rpm) at 100km/hr (top gear)	<b>A B C</b> 3040	<b>D E F</b> 2687	
Gradeability at Rated GVM (theoretical)*	<b>A B C</b> 32%	<b>D E F</b> 27%	
Notes	*This is theoretical performance only. Actual performance may vary under different conditions		

# SPECIFICATIONS

**FUSO**

# CANTER

## MODEL

<b>A</b>	4x2 918 Wide Cab LWB 6 Sp. Duonic AMT (FECX1GR3SFBD)
<b>B</b>	4x2 918 Wide Cab XLWB 6 Sp. Duonic AMT (FECX1HR3SFBD)
<b>C</b>	4x2 918 Wide Cab XXLWB 6 Sp. Duonic AMT (FECX1KR3SFBD)
<b>D</b>	4x2 918 Wide Cab LWB 5 Sp. MAN (FECX1GR4SFBD)
<b>E</b>	4x2 918 Wide Cab XLWB 5 Sp. MAN (FECX1HR4SFBD)
<b>F</b>	4x2 918 Wide Cab XXLWB 5 Sp. MAN (FECX1KR4SFBD)

## WHEEL BASE

3850mm
4300mm
4750mm
3850mm
4300mm
4750mm

## GVM (optional)

8,550kg (8,000kg/4,495kg)
8,550kg (8,000kg/4,495kg)
8,550kg (8,000kg/4,495kg)
8,550kg (8,000kg/4,495kg)
8,550kg (8,000kg/4,495kg)
8,550kg (8,000kg/4,495kg)

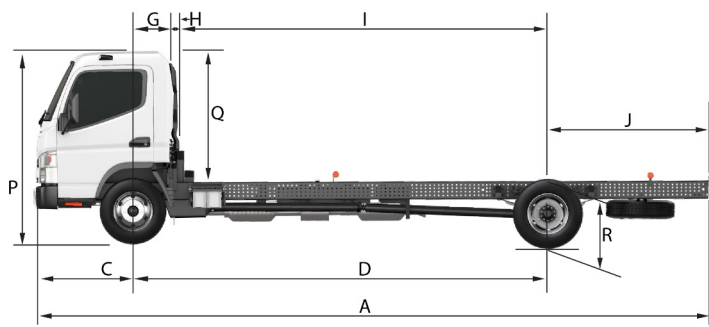
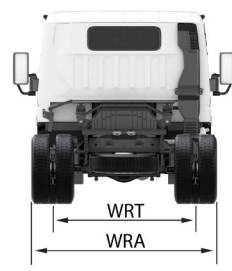
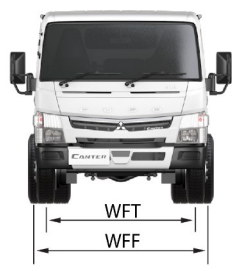
## GCM (optional)

11,700kg (11,500kg/7,995kg)
11,700kg (11,500kg/7,995kg)
11,700kg (11,500kg/7,995kg)
11,700kg (11,500kg/7,995kg)
11,700kg (11,500kg/7,995kg)
11,700kg (11,500kg/7,995kg)

Mass (estimated)*					
Front*	<b>A</b>	<b>B F</b>	<b>C</b>	<b>D</b>	<b>E</b>
	1550kg	1580kg	1600kg	1540kg	1570kg
Rear*	<b>A</b>	<b>B C E F</b>		<b>D</b>	
	845kg	850kg		840kg	
Total*	<b>A</b>	<b>B F</b>	<b>C</b>	<b>D</b>	<b>E</b>
	2395kg	2430kg	2450kg	2380kg	2420kg
Notes	* Mass (est.) includes oil and water but excludes spare wheel, tools & fuel. Weights provided are subject to 3.5% variation (+/-)				

Dimensions (mm)					
WFF (Width Front Fender)	1995				
(mm)					
WRA (Width Rear Axle)	2144				
(mm)					
WRT (Width Rear Track)	1670				
(mm)					
Width Frame	850				
(mm)					
A - Length Overall	<b>A D</b>	<b>B E</b>	<b>C F</b>		
(mm)	6685	7185	7735		
C - Front Overhang	1140				
(mm)					
D - Wheelbase	<b>A D</b>	<b>B E</b>	<b>C F</b>		
(mm)	3850	4300	4750		
G - Front Axle to Rear of Cab	525				
(mm)					
H - Rear of Cab to Rearmost Item Behind Cab	<b>A B C</b>	<b>D E F</b>			
(mm)	50	81			
I - Rearmost Item Behind Cab to Rear Axle	<b>A</b>	<b>B</b>	<b>C</b>	<b>D</b>	<b>E F</b>
(mm)	3275	3725	4175	3244	3694 4144
J - Frame, Rear Axle to End	<b>A D</b>	<b>B E</b>		<b>C F</b>	
(mm)	1695	1745		1845	
P - Height Cab to Ground	<b>A B D E</b>	<b>C F</b>			
(mm)	2185		2180		
Q - Height Cab to Frame	1505				
(mm)					
R - Height Rear Frame to Ground	805				
(mm)					

Body Builder's Notes	
Notes	<p>Chassis reinforcement must be utilised for Tipper/Demountable type body configurations. To conform with ADR 13/00 and 14/02 (lighting/mirror requirements) the following must be adhered to at body installation.</p> <ul style="list-style-type: none"> <li>- If overall width exceeds 2.1 metres and other than flat type or tipper body is fitted, rear end-outline markers must be installed.</li> <li>- If overall length exceeds 6.0 metres, side reflectors must be installed.</li> <li>- If overall length exceeds 7.5 metres and width exceeds 2.1 metres, side marker lamps must be installed.</li> <li>- If overall width is less than 2.2 metres, the mirrors must be modified to project not more than 230mm. To conform with ADR 42/04 (General Safety), rear wheel guards must be fitted to the vehicle.</li> </ul>



**FUSO**

**Call 1800 033 557**

or visit [fuso.com.au](http://fuso.com.au)

Unless specified in writing herein the accessories, applications, bodies or equipment depicted in this document are for illustration purposes only and may not be available from Daimler Truck and Bus Australia Pacific Pty Ltd. (ABN 86 618 413 282) (DTB). No representation or warranty whatsoever is given in relation to any accessories, applications, bodies or equipment or suitability of same that are shown herein that may be manufactured, supplied or fitted by a party other than DTB. DTB reserves the right without notice or obligation to discontinue or make changes to the colour, designs, materials and specifications of the products and options referred to herein at any time. For the most current information and in order to ascertain which accessories, applications, bodies and equipment are available from DTB please contact your authorised FUSO Truck and Bus dealer. Fuso is a registered trademark of Daimler Truck and Bus Australia Pacific Pty Ltd. Copyright DTB. Reproduction in whole or part prohibited without written approval. Part Number TSC171B-SSV1. Valid from 01-Oct-19.